

## Model No: PKB-68-TB

Kingleader's PKB-68-TB is a low-cost yet rugged panelmount plastic keyboard, embracing both panelmount capability and the excellent typing feel of office keyboards, which makes it possible to integrate the keyboard with other machines or workstations.

Moreover an integral optical trackball eliminates the hassle of an additional wired mouse.

Due to its unique design and build, it is widely used in industrial workplaces such as factory workshop, weighing station, warehousing, logistics, material handling and so on.



Items	Specifications
<b>Key Features</b>	<ul style="list-style-type: none"><li>- 68 full-travel keys including 12 numeric/function keys</li><li>- Panelmount from the rear side</li><li>- Integrated with optical trackball(14mm dia)</li><li>- Silk-printing key legend</li><li>- Cable length:1.8m</li><li>- Interface:USB or PS/2</li><li>- Color:black</li><li>- Layout:US,UK,DE,FR,ESP,JP or custom</li></ul>
<b>Material</b>	<ul style="list-style-type: none"><li>- ABS for the case and keys</li></ul>
<b>Electrical Data</b>	<ul style="list-style-type: none"><li>- Power supply voltage: DC 5 V <math>\pm</math> 5%</li><li>- Current rating: <math>\leq</math>30 mA</li><li>- Interface: USB or PS2</li><li>- EMC Emission:EN55022(B)</li></ul>



**KINGLEADER TECHNOLOGY COMPANY**  
3rd Floor, Zone C, Jin Fu Shun Science Park, Le Zhu Jiao, Huang Ma Bu,  
Hang Cheng Subdistrict, Bao'an District, Shenzhen, Guangdong, China  
Tel: 755-26417509, 26419575, 26417379 Fax: 755-26417379-811

Email: [market@kingleadertech.com](mailto:market@kingleadertech.com), Website: [www.kingleadertech.com](http://www.kingleadertech.com); [www.kingleadercorp.com](http://www.kingleadercorp.com)

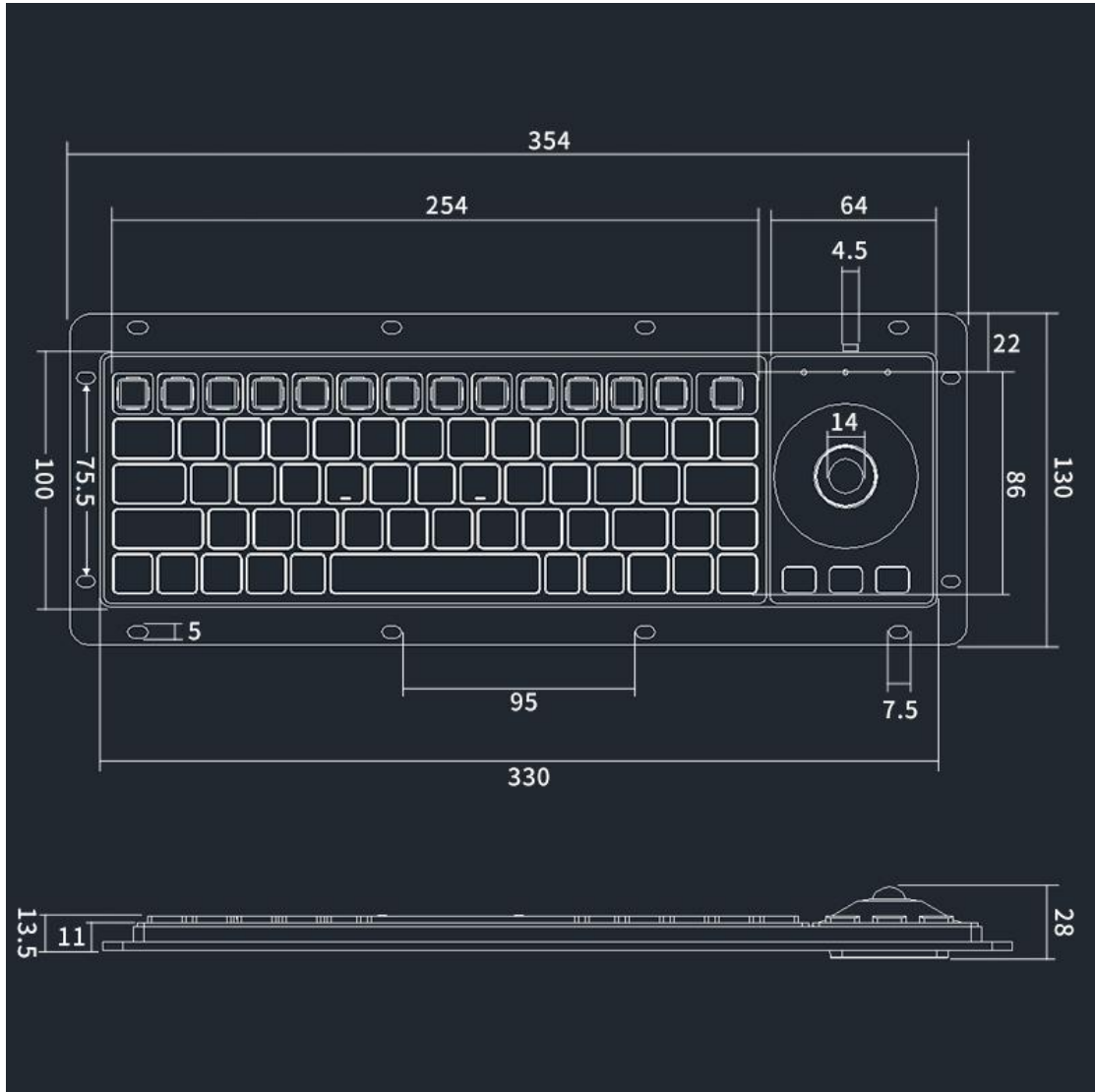
Items	Specifications
<b>Environmental Characteristics</b>	<ul style="list-style-type: none"> <li>- Operating temperature:0° C to + 55° C</li> <li>- Storage temperature: - 10° C to +60° C</li> <li>- Saline mist: 96 hours, IEC 60512-6</li> <li>- Damp heat test at + 40° C: 21 days, IEC 60512-6</li> <li>- Dry heat test at + 85° C: 10 days, IEC 60512-6</li> </ul>
<b>Mechanical Data</b>	<ul style="list-style-type: none"> <li>- Actuation force: 70 ±10g</li> <li>- Key travel: 2.5mm ±0.5mm</li> <li>- Lifetime (cycles) of keys: Min 10 millions actuations</li> <li>- Diameter of trackball:14mm</li> <li>- Sealing protection: IP65/NEMA4X from the front</li> <li>- Vibration resistance: 5 Hz -200 Hz, IEC 60512-4</li> <li>- Shock resistance: 3 axis 150 m/s<sup>2</sup> -11 ms, IEC 60512-4</li> </ul>
<b>Compatible Operation System</b>	<ul style="list-style-type: none"> <li>- PS2: Win NT4, 98SE, 98ME, 2000, XP</li> <li>- USB: Win 98SE, 98ME, 2000, XP, Mac OS9 / OSX,Win7/8.1/10/11</li> </ul>
<b>IP Rating</b>	-IP55
<b>Reliability</b>	<ul style="list-style-type: none"> <li>-MTBF:&gt;20,000 hours</li> <li>-MTTR:&lt;30 minutes</li> </ul>
<b>Dimension</b>	<ul style="list-style-type: none"> <li>-330.00 x 100.00(L x W)(Front plate)</li> <li>-354.00 x 130.00(L x W)(Back plate)</li> <li>-Thickness:28.00mm(to the tallest point)</li> <li>see below drawing</li> </ul>
<b>Weight</b>	0.45 kgs



**KINGLEADER TECHNOLOGY COMPANY**

3rd Floor,Zone C,Jin Fu Shun Science Park,Le Zhu Jiao,Huang Ma Bu,  
 Hang Cheng Subdistrict,Bao'an District,Shenzhen,Guangdong,China  
 Tel: 755-26417509,26419575,26417379 Fax: 755-26417379-811

Email: [market@kingleadertech.com](mailto:market@kingleadertech.com), Website: [www.kingleadertech.com](http://www.kingleadertech.com); [www.kingleadercorp.com](http://www.kingleadercorp.com)



**KINGLEADER TECHNOLOGY COMPANY**

3rd Floor, Zone C, Jin Fu Shun Science Park, Le Zhu Jiao, Huang Ma Bu,  
Hang Cheng Subdistrict, Bao'an District, Shenzhen, Guangdong, China  
Tel: 755-26417509, 26419575, 26417379 Fax: 755-26417379-811

Email: [market@kingleadertech.com](mailto:market@kingleadertech.com), Website: [www.kingleadertech.com](http://www.kingleadertech.com); [www.kingleadercorp.com](http://www.kingleadercorp.com)